

# MAGNETIC LOCKS

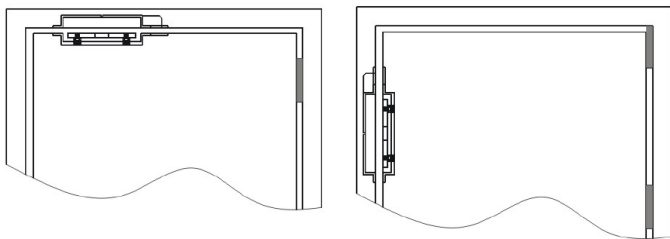
## S01TS SHEAR LOCK

### SPECIFICATIONS AND TECHNICAL DETAILS

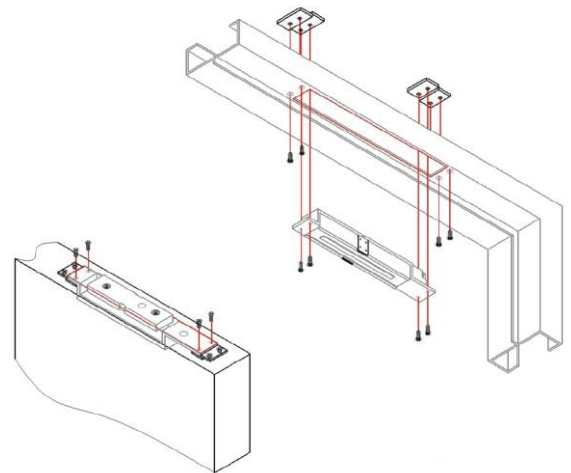
Dimensions: 270mmLx35mmHx30mmD  
 Armature plate – 245mmLx25mmHx30mmD  
 Current draw: 1.6A/12v, 900mA/24v  
 Holding current: 0.4A/12v, 0.3A/24v  
 Holding force: 550kg  
 Dual voltage: 12v/24v  
 Built-in voltage spike suppressor



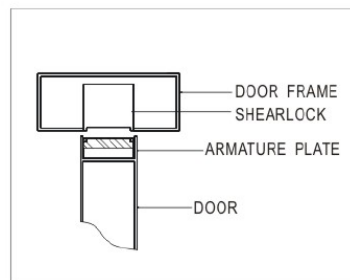
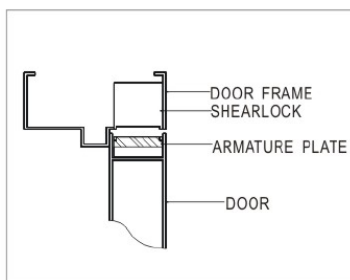
#### ■ SUGGESTED INSTALLATION POSITIONS



#### ■ TYPICAL INSTALLATION



#### ■ APPLICATIONS



SPRINT RESERVES THE RIGHT TO CHANGE SPECIFICATIONS WITHOUT NOTICE.

